

WARRANTY

All fiber optic transmission systems, products and accessories manufactured by Liteway, Inc. and its subsidiaries are fully tested prior to shipment and are warranted against defective materials and workmanship for a period of five full years from the date of the original shipment. Should a problem occur, a Return Material Authorization Number (RMA) must be obtained from Liteway Inc. at (516) 931-2800 and the item returned to Liteway, Inc. 166 Haverford Road, Hicksville, NY 11801, USA, prepaid. Liteway Inc. will then, at its option repair or replace the defective item.

Liteway, Inc. maximum liability under this warranty is limited to the cost of the defective item only. No contingent liabilities of any kind are either assumed or implied.

Any items returned to Liteway, Inc. that have been misused, abused, damaged, modified, connected or adjusted in any way contrary to the instructions furnished by Liteway, Inc. or repaired by unauthorized personnel will not be covered by this warranty. Any non-warranty repairs required will be quoted at the current rate for such services.



Important Notices



CAUTION ! AVOID DIRECT EXPOSURE TO BEAM.

All -7,-8, and -9 Models use laser diodes. These solid-state laser diodes are located in the optical ports of these units. Laser diodes produce invisible radiation that may be harmful to human eyes. Never look directly into the optical port of any fiber optic unit designed to operate with single-mode optical fiber.

NOT FOR LIFE SUPPORT SYSTEMS

Liteway, Inc. does not authorize or warrant any of its products or accessories for use in critical life support systems or applications of any kind.

OPERATING INSTRUCTIONS

Litelink® Fiber Optic Intercom System

Model INCX-4001



The INCX-4001 consists of an audio transceiver designed to implement a complete fiber optic intercom system. The unit can be used in point-to-point applications, or as a simple party line intercom. Both push-to-talk and hands-free operation are supported and a jack is provided for use with an external headset. The unit may be used on a desk top or mounted to a wall as required.

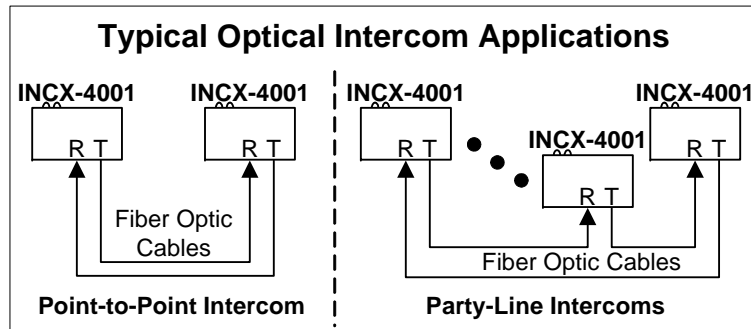
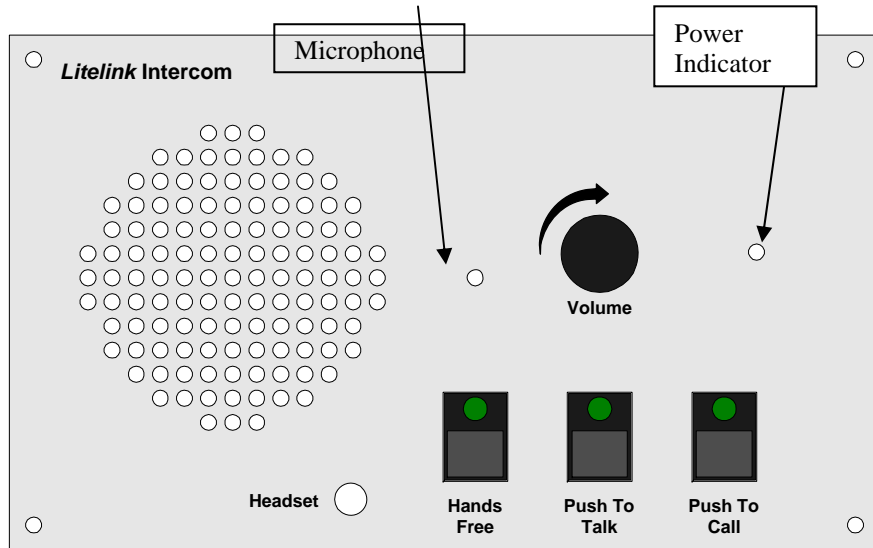
Technical Specifications

Audio Bandwidth	200 to 5 KHz
Audio Output	1.2 watts maximum
Audio Input / Output	Integral speaker & Microphone
Auxiliary Connector	3.5 mm Jack for optional headset.
Auxiliary Input / Output	2000 ohms / 4-200 ohms
Optical Loss Budget	10 dB typical
Optical Output	-15dBm typical
Operating Wavelength	850nm, 1300nm, or 1550nm
Fibers Accommodated	Multimode or Single-mode
Number of Fibers	2
Temperature Range	-35° to +75°C
Operating Power Requirements	11-24 VAC/DC @ 150 mA.
Physical Size (mm)	6.75"(172)L x 4.0"(101)W x 1.0"(25.4)D

All specifications measured with 1Km of 62.5u multimode fiber and specifications are subject to change without prior notice.

Operating Instructions

The diagrams below show the location of the various controls as well as the INCX-4001 in both point-to-point and party line intercom applications.



Note: The INCX-4001 may be mounted in a weatherproof ENCL-1002 enclosure for use outdoors.


www.Litelink.com
USA 516-931-2800

Fiber Optic Transmission Systems

106563 Rev K

As soon as power is applied and the fiber optic cables connected, the INCX-4001 is ready for operation.

Operating Controls

Hands Free: This switch toggles the hands free mode. When illuminated, the INCX-4001 is in the hands free mode and speaking in a normal voice will activate the transmission circuitry. When not illuminated, the unit is in the PTT mode. *Note that there is an internal "VOX sensitivity control" on the circuit board that can be adjusted to vary the sensitivity of the microphone in both the Hands Free Mode and in the normal Push To Talk Mode.*

Push to Talk: Press this switch to talk, release to listen. The LED on the switch will light when the INCX-4001 is in the transmit mode.

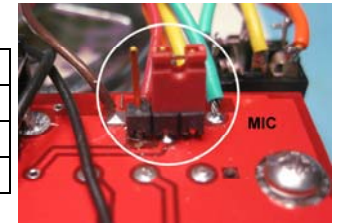
Call: Pressing this switch will produce a call signal on all other INCX-4001 stations that are connected to the system. The LED on this switch will light when any other station connected to the system has sent a call signal.

Volume: This control sets the received audio volume. Note that it cannot be set to totally eliminate all audio. This control operates with the internal speaker or with the headset earphone.

Headset: This 3.5mm, stereo jack is used for an external headset. Plugging in an external headset will turn off the integral speaker and microphone. To use an external microphone without turning off the internal speaker move the MIC jumper strip on the internal circuit board (shown on pins 2 and 3 in photo) to cover pins 1 and 2 and plug the microphone into the Headset Jack.

Headset jack connections

Pin	Function
Tip	Microphone input, 2K ohms
Ring	Speaker output 4 to 200 ohms
Sleeve	Common



Pwr: This LED will light when proper power is present.

Power Terminal Block Connections:

Pin	Function
1	AC or DC return (Common to Housing)
2	10 to 24 VAC or DC